

## Spotmaster Spotting Boards And Cabinets – The Most Complete Range of Spotting Systems!

- Hot 'n' Cold-SLB-VC Solenoid controlled steam/air spotting gun, 2 cold spotting guns and solvent containers, self contained vacuum.
- Hot-SLB-V Solenoid controlled steam/air spotting gun and self contained vacuum.
- Hot-SLB Solenoid controlled steam/air spotting gun with central vacuum valve.
- Hot-Spotmaster-C, hot only-mechanical valves, central vacuum connection or self contained vacuum.
- SuperCab II - Ecological filter system and exhaust, pre-spot work station, post-spot work station, self contained vacuum, steam/air gun, cold spotting gun, soap pressure tank with brush and spray gun, water spray gun.



*SuperCab II*



*Hot 'n' Cold SLB-VC*



*Spotmaster - C*

# Specifications Spotmaster

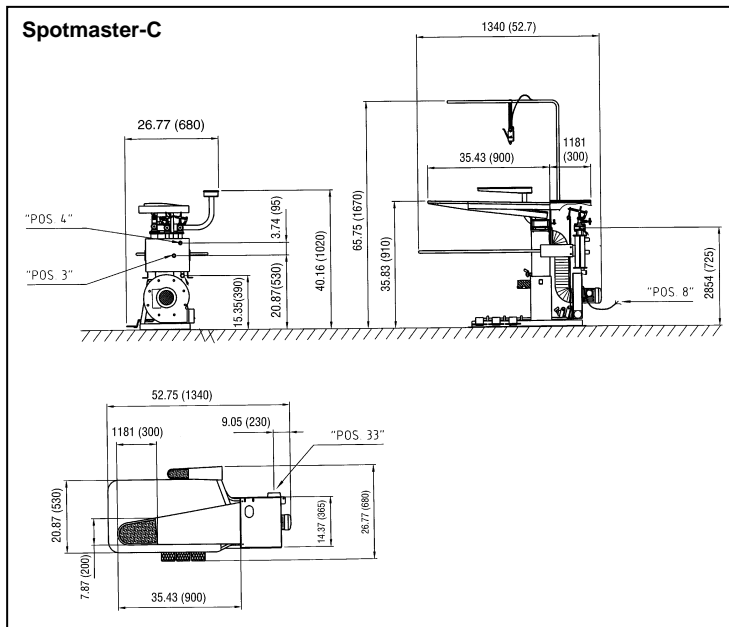
## Spotmaster-C

POS	TECHNICAL SPECIFICATIONS	DATOS TECNICOS	CENTRAL SUPPLY
POS3	REQUIRED POWER FOR OPTIONAL VACUUM	ALIMENTACION ELECTRICA	220-60-1- 3 AMPS 220-50-1- 3 AMPS
POS4	STEAM INLET	ALIMENTACION DE VAPOR	1/2" (12.7 mm)
POS32	RETURN STEAM	RETORNO DE CONDENSADOS	1/2" (12.7 mm)
	AIR INLET	ALIMENTACION DE AIRE	1/4" (6.4 mm)
	STEAM WORKING PRESSURE	PRESION DE TRABAJO VAPOR	85 PSI (6 BAR)
	STEAM CONSUMPTION	CONSUMO DE VAPOR	11#/HR (5KG/HR)
	AIR WORKING PRESSURE	PRESION DE TRABAJO AIRE	85 PSI (6 BAR)
	AIR CONSUMPTION	CONSUMO DE AIRE	1FT <sup>3</sup> (.03M <sup>3</sup> )
POS 8	VACUUM OUTLET	TURBO SALIDA DE ASPIRADO	4" (102 mm)
	VACUUM MOTOR	MOTOR ASPIRADO	1/2 HP (.375 KW)
	NET WEIGHT	PESO NETO	240# (109 KG)
	GROSS WEIGHT (CRATE)	PESO BRUTO (JAULA)	310# (141 KG)
	OVERALL DIMENSION	DIMENSION DE EMBALAJE	53WX 27DX66H (1346WX686DX1676H mm)
	VOLUME	VOLUME	55FT <sup>3</sup> (1.6M <sup>3</sup> )

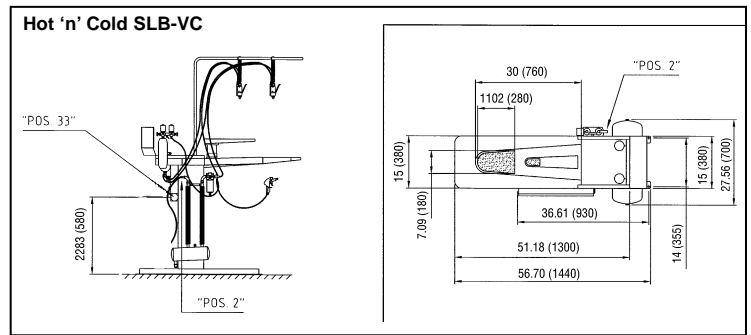
## Hot 'n' Cold SLB-VC

POS	CENTRAL SUPPLY
POS 2	110-60-1- 6 AMPS 220-60-1- 3 AMPS 220-50-1- 3 AMPS
	3/8" (9.5 mm)
	1/2" (12.7 mm)
	1/4" (6.4 mm)
	85 PSI (6 BAR)
	10#/HR (5KG/HR)
	85 PSI (6 BAR)
	1FT <sup>3</sup> (.03M <sup>3</sup> )
	4" (102 mm)
	1/3 HP (.25 KW)
	130# (60 KG)
	147# (67 KG)
	57WX 28DX56H (1448WX711DX1422H mm)
	52FT <sup>3</sup> (1.5M <sup>3</sup> )

## Spotmaster-C

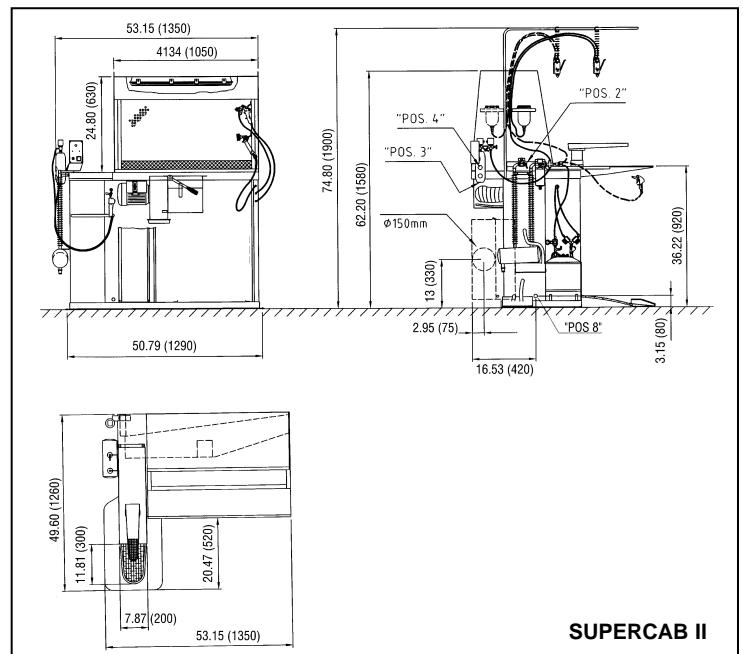


## Hot 'n' Cold SLB-VC



## Supercab II

POS	TECHNICAL SPECIFICATIONS	DATOS TECNICOS	CENTRAL SUPPLY
POS33	REQUIRED POWER FOR OPTIONAL VACUUM	ALIMENTACION ELECTRICA	220-60-1- 4.2 AMPS 220-50-1- 4.2 AMPS
POS4	STEAM INLET	ALIMENTACION DE VAPOR	3/8" (9.5 MM)
POS32	RETURN STEAM	RETORNO DE CONDENSADOS	1/2" (12.7 MM)
	AIR INLET	ALIMENTACION DE AIRE	1/4" (6.4 MM)
	STEAM WORKING PRESSURE	PRESION DE TRABAJO VAPOR	85 PSI (6 BAR)
	STEAM CONSUMPTION	CONSUMO DE VAPOR	11#/HR (5KG/HR)
	AIR WORKING PRESSURE	PRESION DE TRABAJO AIRE	85 PSI (6 BAR)
	AIR CONSUMPTION	CONSUMO DE AIRE	1FT <sup>3</sup> (.03M <sup>3</sup> )
	VACUUM OUTLET	TURBO SALIDA DE ASPIRADO	4" (102 MM)
	VACUUM MOTOR	MOTOR ASPIRADO	0.8HP (.6 KW)
	NET WEIGHT	PESO NETO	660# (300 KG)
	GROSS WEIGHT (CRATE)	PESO BRUTO (JAULA)	748# (340 KG)
	OVERALL DIMENSION	DIMENSION DE EMBALAJE	53WX 50DX75H (1270WX1346DX1905H MM)
	VOLUME	VOLUME	115 FT <sup>3</sup> (3.25M <sup>3</sup> )



Equipment is subject to manufacturer's standard warranty. Accuracy of illustration and description of equipment shown herein applies to product as manufactured at time of publication.

Copyright 2002. Hoffman/New Yorker, Inc. All rights reserved.  
Printed in U.S.A. 1M 902

# HOFFMAN/NEW YORKER, INC.

25 Lackawanna Place, Bloomfield, NJ 07003  
Tel.: 973 748-0500 Fax: 973 748-1341 • Parts Only: 1-800-221-0146  
www.hoffman-newyorker.com • info@hoffman-newyorker.com